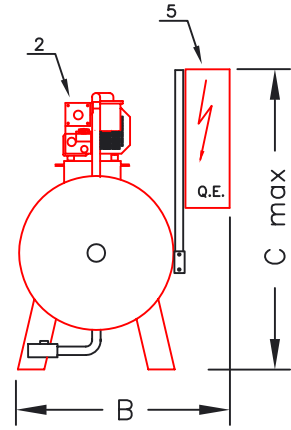
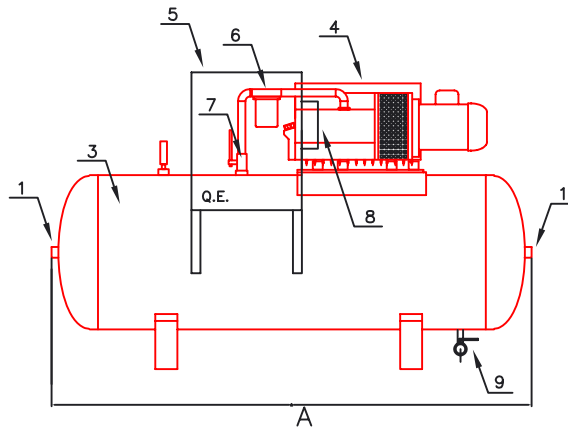


GP su serbatoio

GP on tank



- 1 ASPIRAZIONE / suction
- 2 MANDATA / delivery
- 3 SERBATOIO / tank
- 4 POMPA / vacuum pump
- 5 QUADRO ELETTRICO / electric panel board
- 6 FILTRO / filter
- 7 VALVOLA / valve
- 8 VACUOSTATO / vacuum switch
- 9 DRENAGGIO / drain



Modello Model	Portata Displacement	Tipo pompa Pump type	Serbatoio Tank	Aspirazione Suction	Mandata Delivery	Peso Weight	Dimensioni (mm) Dimension (mm)		
GP	m ³ /h	GP	lt	Ø"	Ø"	kg	A	B	C
11-50	11	11	50	½	1	80	850	550	1050
11-100	11	11	100	1	1	90	1100	600	1100
21-50	21	21	50	½	1	80	850	550	1050
21-100	21	21	100	1	1	90	1100	600	1100
21-200	21	21	200	1	1	110	1400	700	1150
45-100	45	45	100	1	1¼	110	1100	600	1100
45-200	45	45	200	1	1¼	130	1400	700	1150
45-300	45	45	300	1½	1¼	150	1600	750	1150
65-100	65	65	100	1½	1¼	120	1100	600	1100
65-200	65	65	200	1½	1¼	140	1400	700	1150
65-300	65	65	300	1½	1¼	160	1600	750	1150
100-300	100	100	300	1½	2	220	1600	750	1150
100-500	100	100	500	2	2	270	1900	850	1250
100-1000	100	100	1000	2	2	340	2200	1025	1350
210-500	200	210	500	2	2	340	1900	850	1250
210-1000	200	210	1000	2	2	410	2200	1025	1350
308-500	300	308	500	2	2	380	1900	850	1250
308-1000	300	308	1000	2	2	450	2200	1025	1350